

MATERIAL:

CYLINDER: STEEL
TROLLEY : STEEL
VALVE : BRASS HOT STAMPING.

COATING:

TROLLEY : RED RAL 3000
CYLINDER: INTERNAL AND EXTERNAL SHOT BLASTING
FINAL COATING RED RAL 3000
RESISTANCE TESTS ACCORDING
ISO 9227 & ISO 2409

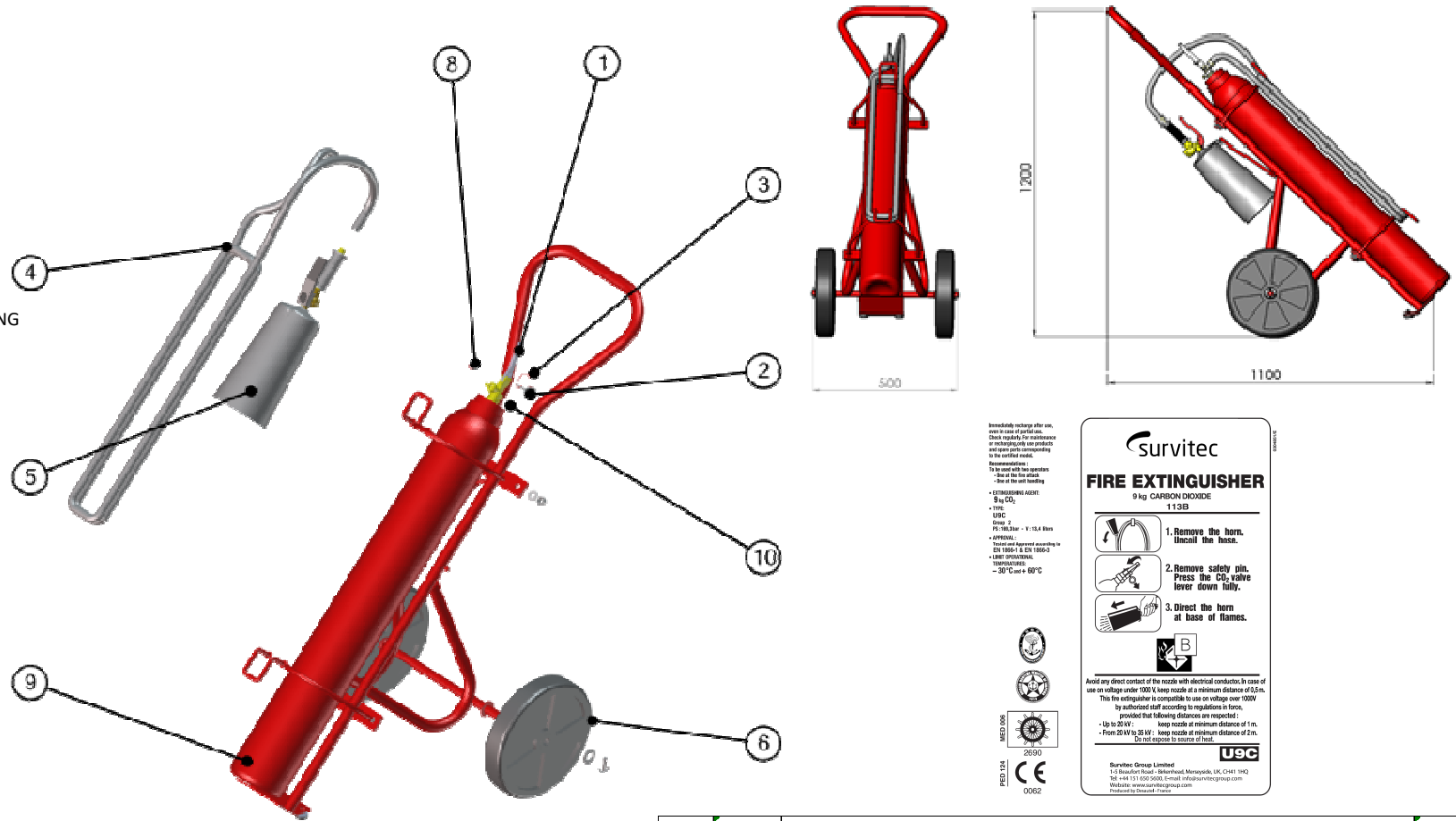
FIRE RATING : 113B
CAPACITY : 9 kg
HOSE LENGTH : 5m
MIN DISCHARGE TIME : 16 s
DISCHARGE RANGE : 4 m
TEST PRESSURE : 300 bar
WORKING PRESSURE : 169.3 bar
CLASS : B
DESIGN STANDARD : APPROVAL BV;
EN 1866-1; MED; PED

WEIGHT:
EMPTY : 40 kg
FULL : 49 kg

TEMPERATURE OF USE : -30°C and +60°C

WHEELED DIAMETER : Ø 300mm

**USE ON VOLTAGE OVER 1000V.UP TO 35 Kv ACCORDING
TO LABEL INSTRUCTION ON FIRE EXTINGUISHER**



10	1	Bursting disk F/CO2 ext. and cyl. 500 pck	674192
9	1	CO2 cylinder 9 kg W/valve w/o hose and horn	668376
8	1	Fibre seal F/CO2 ext. And cyl. Valve connection 25pck	667824
7	1	Label F/U9CMED 10 pck	768796
6	2	Wheel w/safety pin and washer F/E45A2/P25/P25P/P50/P50P/U9C/U20C/U22C	667907
5	1	CO2 nozzle F/All wheeled CO2 ext.	669010
4	1	Discharge hose F/All wheeled CO2 ext.	669028
3	1	Wire and seal F/All ext. 90 pck	667600
2	1	Safety pin F/All wheeled ext./U5C 10 pck	667683
1	1	Valve F/All wheeled CO2 ext.	668129
ITEM	NO OF	DESCRIPTION	PROD NO

Survitec
Distributed by
Survitec Group Limited

02	Drawn by/date MB 01/12/2017
	Issued by/date MB 01/12/2017
Rev no.	Approved by/date

Main product group or System

**SURVITEC PORTABLE FIRE
FIGHTING EQUIPMENT**

Product

**CO2 EXTINGUISHER 9 KG
WHEELED MODEL U9C**

Product no. 767929

Data sheet no.
29-02-019

6080150 Ed02