

survitec

SURVITEC DAVIT RANGE

PROVIDING CRITICAL DAVIT LAUNCH SAFETY SOLUTIONS



COMPLETE SAFETY SOLUTIONS PROVIDER - EVERYTHING YOU NEED TO REMAIN SAFE AND COMPLIANT.

Now that Survitec is the world's largest maritime safety business, we are in a position to turn the whole industry onto a different heading. We are thinking more radically about how we can assist our customers in their pursuit of continuous improvement – how to do things faster, better, cheaper or easier.

With more liferafts, lifejackets, fire systems, safety products and service stations around the world than our nearest competitor, nobody can offer better last mile global coverage than Survitec. We are determined to use our size and strength to take maritime safety in a different direction – one that delivers new benefits to our customers.

Whether your requirements are for one-off product sales or for complete safety asset management, our dedicated teams are always ready to listen to your challenges and are on hand to offer a comprehensive solution, tailored for your business.

Throughout our 160-year history, Survitec has remained at the forefront of innovation, design and application engineering and is the trusted name when it comes to critical safety and survival solutions.



DAVIT LAUNCH SAFETY SOLUTIONS



When it comes to safety, Survitec is uncompromising. From the conception of products through to delivery and installation, passenger safety is of paramount importance. This philosophy has ensured that throughout our 160+ years of industry experience, Survitec remains the world's market leading manufacturer of safety and survival products.

The introduction of the Survitec Davit range reinforces Survitec's commitment to offering customers the complete safety portfolio, helping to ensure an efficient and simplified process when facilitating your safety needs. Our Survitec davits combined with our SLA hook solutions mean that now our liferaft and rescue boat customers are able to access the full safety package for their davit launch safety solutions.

PIONEERING DESIGN. SIMPLE INSTALLATION PHILOSOPHY.

survitec

SWL 10kN

- THE NAME YOU CAN TRUST.

The Survitec range of davits are designed and manufactured by a European based manufacturing partner, whom hold over 20 years' experience supplying davits to the maritime market. Combined with Survitec' 160-year history provides customers decades of design and product knowledge in the industry.

Design has been the key to the success of these davits, not only is the Survitec range designed in accordance with the rules and regulations as published by the International Maritime Organisation (IMO), SOLAS & MED, they also included a standardised and smart design construction coupled with an efficient production and testing platform.

This combined with our simple installation setup where by the davit is supplied as a fully tested and assembled unit enables Survitec to offer faster turnaround times from order to delivery compared with the industry standard.

In addition, these new products hold several key features making them the top choice for customers operations and overall safety and longevity of the davit, including;

Grooved Drum

A grooved drum guides the fall into the correct position and packs it tightly within the drum as the fall is wound up and down during the lifting and lowering of the raft or boat. This ensures that the top layers of the fall wires do not force themselves into the lower layers, avoiding abrasion and possible bights of the wire, thus eliminating any jerking or snatching motions when the liferaft or rescue boat is lowered.

Corrosion Resistant

Throughout the design attention has been paid to the potentially corrosive environment the davits will operate in. To limit the corrosion and ensure long life several advanced materials have been used including a high standard multicoating layer.

Handling the crane with lifting hooks can damage the paint on the davit, to help keep any damage to a minimum, stainless-steel lifting lugs are included. In addition, the remote-control, shackles, securing wires, cover plate and winch mounting lugs are also manufactured using stainless steel. This again means that any small paint damages that do occur will not immediately result in rust occurring on the davit.



Advanced Paint System Application

Utilising our very own Inhouse paint shop enables us to be able to provide a NORSOK M-501 high quality 3-layer paint system, helping to ensure the overall longevity and aesthetics of the davit. Additionally, we can supply our davits in almost any colour to suit your branding and operational requirements.



Bespoke Solutions – Polar Code

When required we can supply our davits using a bespoke steel and with a heating systems solution which enables operators to meet the polar code requirement of -20 degrees °C.



FLAG AND CLASSIFICATION SOCIETY APPROVED

Survitec are the acknowledged leaders of both Flag State and Classification society approval standards, our comprehensive list of Class and Flag approvals qualifies us to inspect and service multiple brands of product and can therefore meet the requirements of the industry in their statutory responsibilities for service & inspection needs whatever your fleet. Furthermore, this is backed up by our Scottish Qualification Authority 'SQA' approved training school and ISO 9001:2015 accredited QA Management System.

Our extensive list of approvals includes:



GLOBAL SERVICING NETWORK

WHEN YOU DO BUSINESS WITH **SURVITEC**, YOU'RE NOT JUST SIGNING A DOTTED LINE; RATHER, YOU'RE GAINING A **PARTNER**.

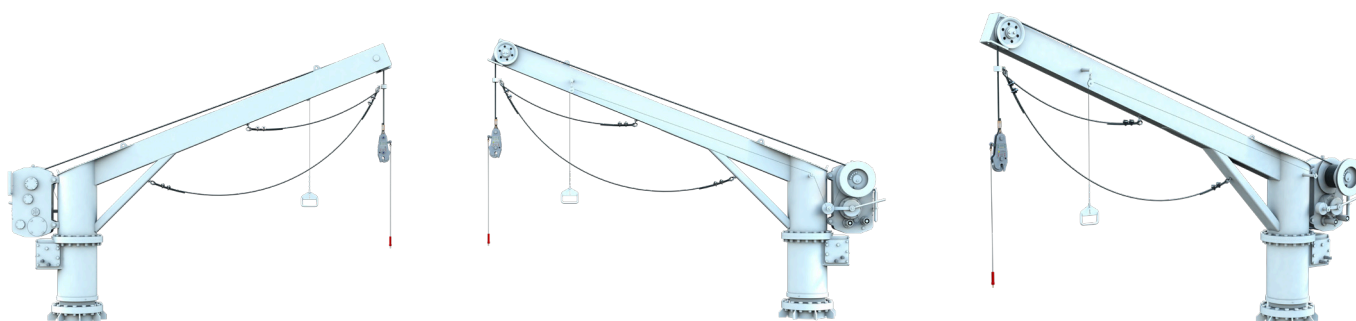
What's important is not only initial supply but having the through life support you need to maintain your equipment during its lifespan. In support of this service we are delighted to be able to offer the world's largest lifesaving appliances inspection & service network, we have service engineers available in key ports across the globe ready and able to support your davit inspection needs, if by chance we are not located where you need us to be we also provide a flying squad service.

A detailed map showing the location of our service engineers can be viewed below.



THE RANGE

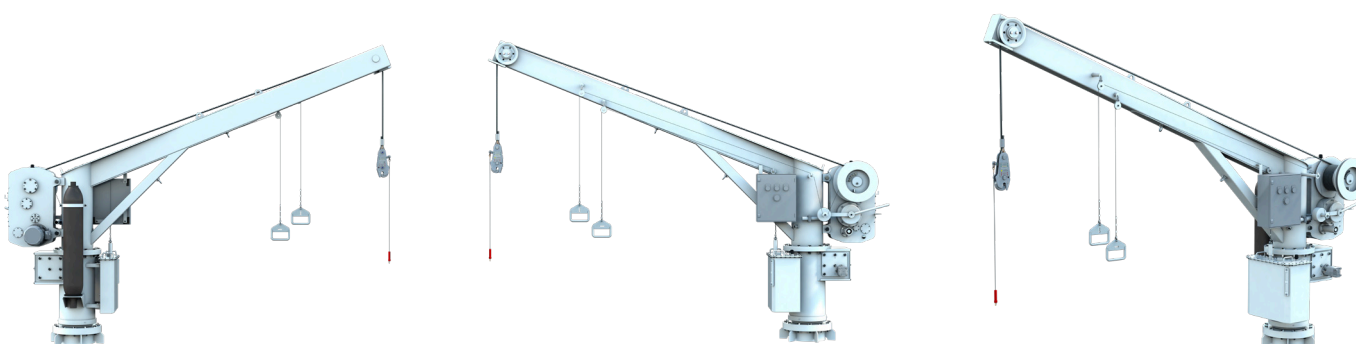
LIFERAFT DAVITS - MANUAL



TECHNICAL DATA

Certification:	MED
Rules and regulations:	Latest IMO/SOLAS and LSA Code
Certification authority (ICAS):	Bureau Veritas

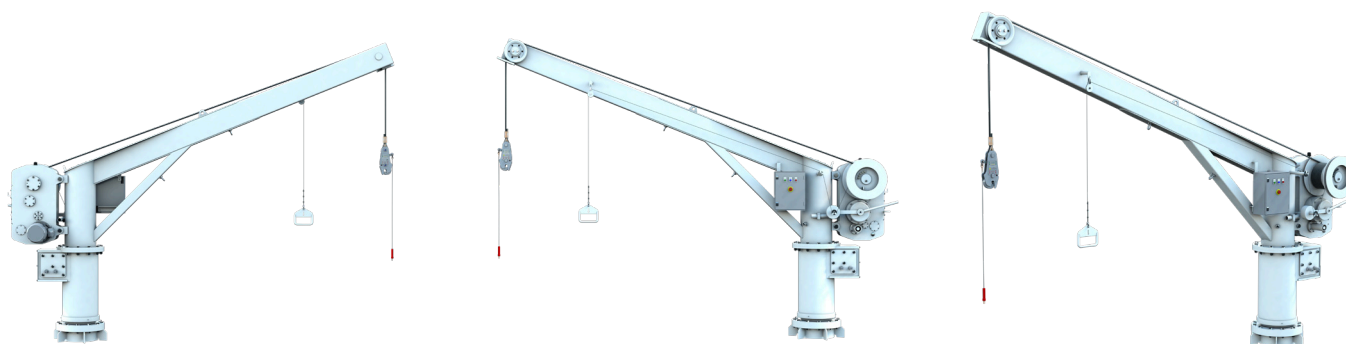
RESCUE BOAT DAVITS - HYDRAULIC



TECHNICAL DATA

Certification:	MED
Rules and regulations:	Latest IMO/SOLAS and LSA Code
Certification authority (ICAS):	Bureau Veritas

RESCUE BOAT DAVITS - MANUAL

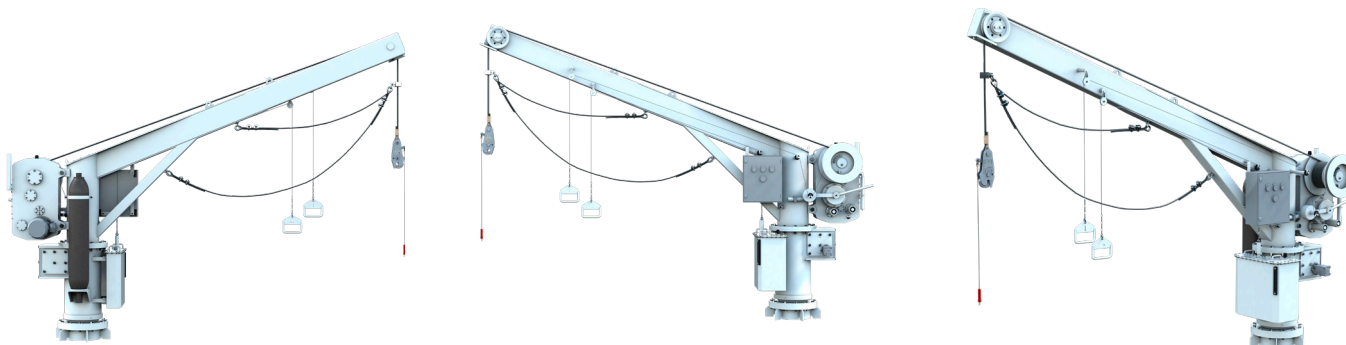


TECHNICAL DATA

Certification:	BV Type Approval
Certification authority (ICAS):	Bureau Veritas

*Operators are advised to obtain Flag State approval before purchasing a manual handling rescue boat davit

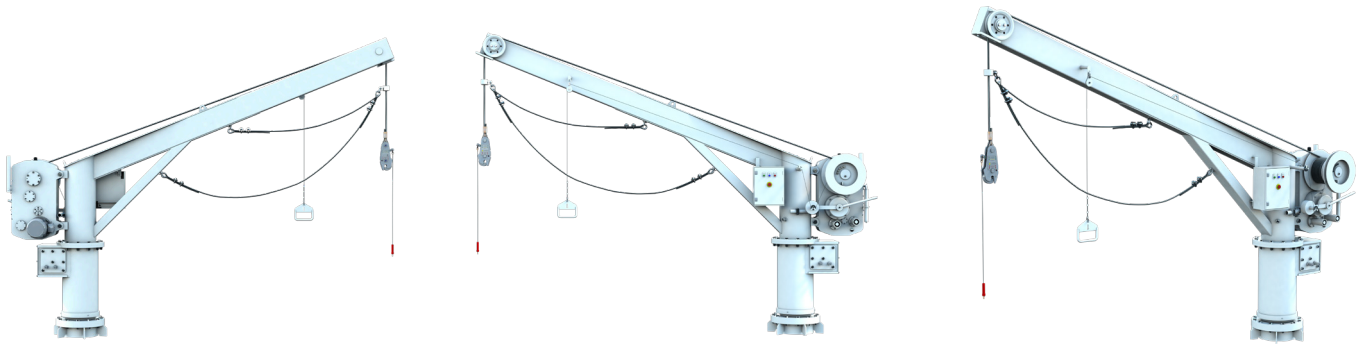
COMBI DAVITS - HYDRAULIC



TECHNICAL DATA

Certification:	MED
Rules and regulations:	Latest IMO/SOLAS and LSA Code
Certification authority (ICAS):	Bureau Veritas

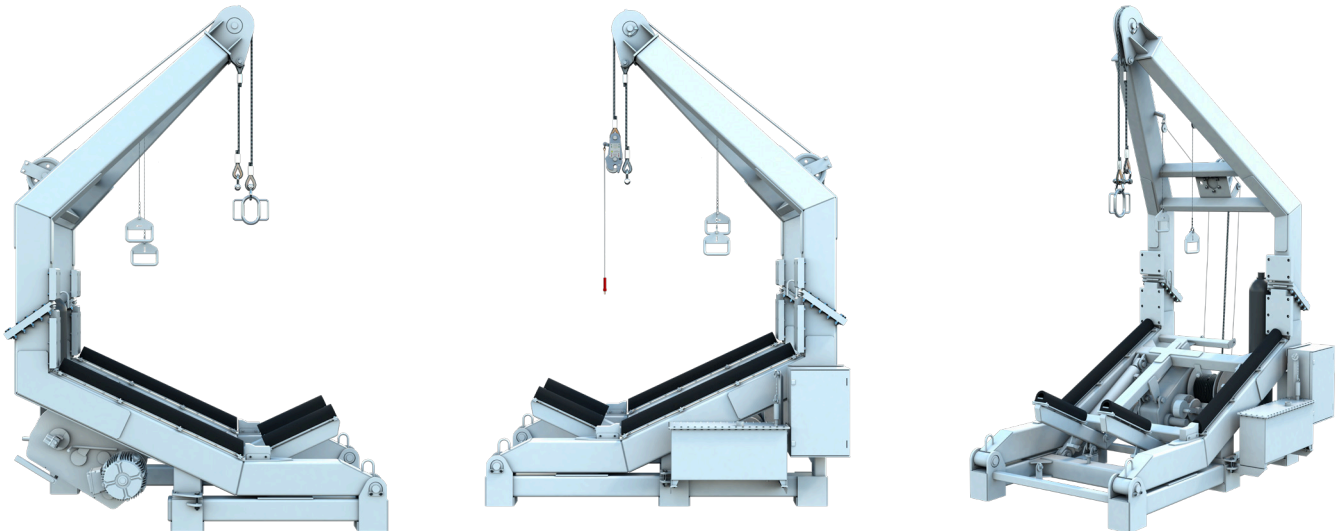
COMBI DAVITS - MANUAL



TECHNICAL DATA	
Certification:	BV Type Approval
Certification authority (ICAS):	Bureau Veritas

*Operators are advised to obtain Flag State approval before purchasing a manual handling rescue boat davit

FAST RESCUE BOAT DAVIT



TECHNICAL DATA	
Certification:	MED
Rules and regulations:	Latest IMO/SOLAS and LSA Code
Certification authority (ICAS):	Bureau Veritas

SAFELAUNCH HOOK SLA3.5



The Safelaunch SLA3.5 is an off-load fall-mounted automatic release hook for use with davit-launched liferafts and single-fall rescue boats.

With a safe working load of 3.5tonnes, the SLA3.5 is perfectly suited for various types of liferafts & rescue boats and their associated launching appliance and because of the inherent safety of the load-over-centre design it can only be released when the raft or boat is waterborne, with little (up to 150kg) or no load on it. It fully complies with the latest SOLAS & LSA Regulations.

The SLA3.5 has two modes of operation to allow for safe evacuation regardless of the conditions;

1. Automatic release when the craft becomes waterborne by engaging the Actuating Mechanism just prior to splashdown.
2. Manual release when waterborne if auto-release is not possible due to added load on the hook while being towed or when sea conditions worsen.

KEY FEATURES

- The only hook on the market that can have the 5 year overhaul and test completed on board
- Colour coded visual indicators
- Load over-centre design
- 100% Eu product, designed and manufactured in the uk by survitec
- No service exchange requirement
- Single operating handle for ease of operation



LIFEBOAT DAVITS



In addition to our range of liferaft and rescue boat davits, to complete the full range of lifeboat requirements Survitec also offer a range of ship and rig davit launching appliances for lifeboats, designed to withstand long periods of operation under adverse and extreme conditions in highly corrosive marine and offshore environments.

Meeting the stringent requirements of IMO/SOLAS, LSA regulations as well as the European Council Directive 96/98 EC on Marine Equipment (M.E.D.). Survitec lifeboat davits are manufactured to ensure they remain inherently strong, reliable and perform in the toughest environments.

Since the safe working load and outreach of the davit is normally determined by the size of the lifeboat, Survitec offers not only the standard range of lifeboat davits required but can also offer bespoke adapted versions to meet individual vessel needs.

Operating the lifeboat davit is simple, there is a motor starter built into the davit arm which operates at the main switch. In case of a power failure the user is still able to operate the davit manually using the crank handle of the winch.

KEY FEATURES

- Range of ship and rig davit launching appliances for lifeboats
- Designed to withstand long periods of operation under adverse and extreme conditions in highly corrosive marine and offshore environments
- Meets IMO/SOLAS, LSA regulations as well as the European council directive 96/98 EC on marine equipment (M.E.D.)
- Standard and bespoke options available to meet individual vessel needs

Our lifeboat davits are designed and manufactured by an alternative provider to our liferaft and rescue boat davits.



GET IN TOUCH

SURVITEC

4th Floor, 12 Finsbury Square, London, EC2A 1AS, United Kingdom

Email: info@survitecgroup.com

www.survitecgroup.com

Copyright Notice

The copyright, trademarks, domain names and other intellectual property rights in all material and information in this presentation belongs to Survitec Group Limited. All rights are reserved.

Disclaimer

This document provides general information about Survitec and its companies, its products and services, and summarises general capabilities and offerings which we deem to be of relevance to our customers. Whilst Survitec has taken appropriate steps to ensure the accuracy of the information contained in this document, Survitec gives no warranty regarding the accuracy or completeness of such information.

This presentation was prepared to provide information and does not constitute a contract. Survitec reserves the right, without prior notice, to change, delete, supplement, or otherwise amend at any time the information, images, and offerings contained in this presentation, or other documents. Survitec shall not be liable for any loss or damage of whatever nature (whether direct, indirect, consequential or other) that may arise as a result of any third party relying on the information contained in this document (but nothing in this disclaimer excludes liability for death or personal injury arising from negligence or any fraudulent misrepresentation).

For further detailed information, prices, terms and conditions, customers should contact Survitec at info@survitecgroup.com

Rv1