

The right to make engineering refinements on all products is reserved. Dimensions and details are subjects to change without prior notice. When dimensions are critical, the dimensions should be confirmed by Survitec Group Limited

MATERIAL:

CYLINDER : STEEL
OPERATING HEAD: BRASS HOT STAMPING

COATING:

CYLINDER: RED RAL 3000

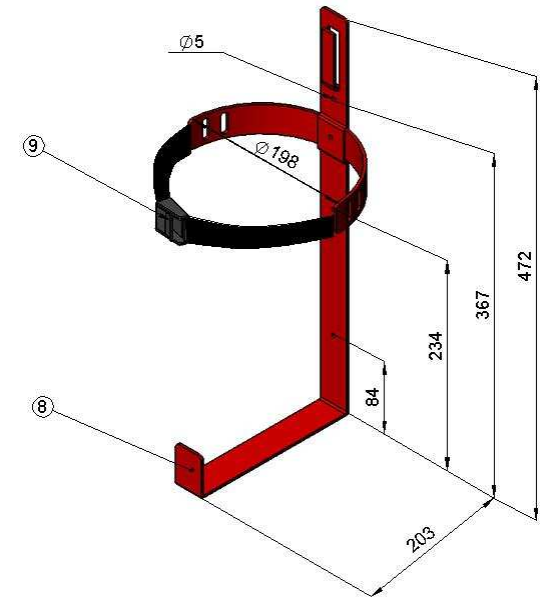
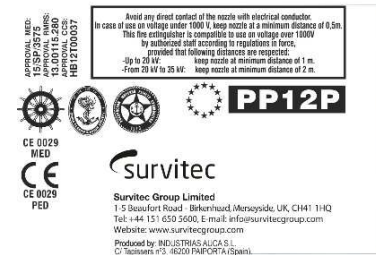
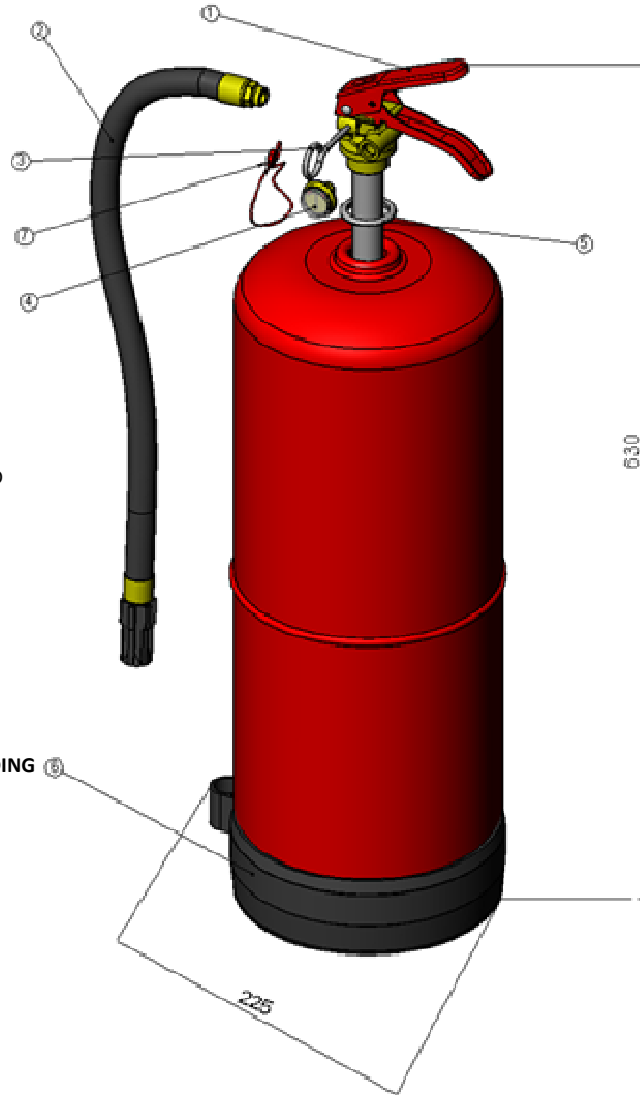
FIRE RATING : 55A 233B
CAPACITY : 12 Kg
MIN DISCHARGE TIME : 18 s
DISCHARGE RANGE : 4.5 m
TEST PRESSURE : 24 bar
WORKING PRESSURE : 13.5 bar
CLASS : A B C
DESIGN STANDARD : APPROVAL EN3-7, MED, PED
CCS; RMRS

WEIGHT:

EMPTY : 4.8 kg
FULL : 16.9 kg

TEMPERATURE OF USE : -20°C and +60°C

USE ON VOLTAGE OVER 1000V. UP TO 35 Kv ACCORDING TO LABEL INSTRUCTION ON FIRE EXTINGUISHER



TYPE	PROD NO
EXTINGUISHER PP12P WITHOUT MARINE BRACKET	743104

ITEM	NO OF	DESCRIPTION	PROD NO
10	1	ABC POWDER 12KG	668319
9	1	Strap F/M. bracket F/PP12P/PP9P 5 pck	756387
8	1	M. bracket W/Strap F/PP12P	743112
7	1	Wire and seal F/All ext. 90pck	667600
6	1	Base prot. F/PP12P	756460
5	1	Valve seal F/PP6P/PP9P/PP12P/PP25P 10 pck	674275
4	1	Gauge F/PP3P/PP6P/PP9P/PP12P/PP25P 5pck	674234
3	1	Safety pin F/PP6P/PP9P/PP12P/PP25P 10pck	674259
2	1	Hose with nozzle F/PP12P	756437
1	1	Valve with syphon tube F/PP12P	756403

Survitec
Distributed by
Survitec Group Limited

Rev no.
06

Drawn by/date
MB 01/12/2017
Issued by/date
MB 01/12/2017
Approved by/date

Main product group or System

SURVITEC PORTABLE FIRE FIGHTING EQUIPMENT

Product

POWDER EXTINGUISHER 12KG ABC MODEL PP12P

Product no. See Table

Data sheet no.
29-01-121

6080099 Ed06