

MATERIAL:
CYLINDER : STEEL
OPERATING HEAD: BRASS HOT STAMPING

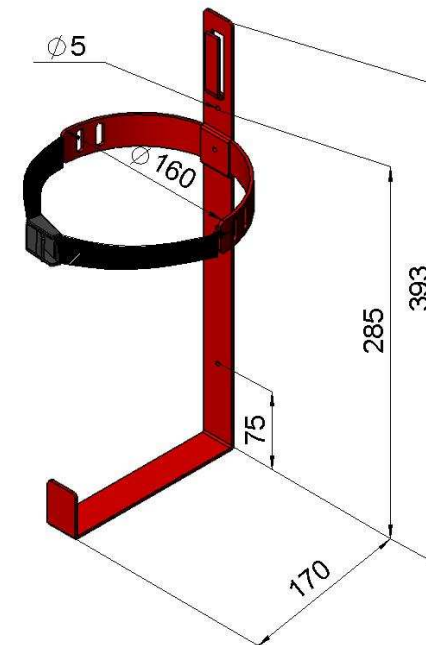
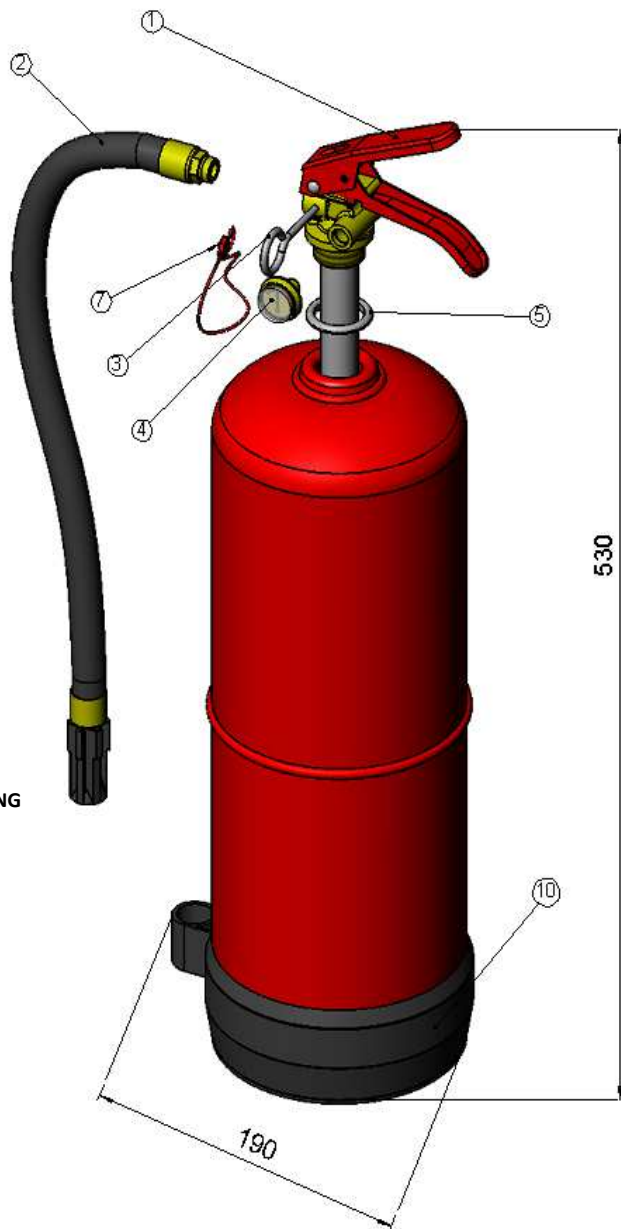
COATING:
CYLINDER: RED RAL 3000

FIRE RATING : 34A 233B
CAPACITY : 6Kg
MIN DISCHARGE TIME : 16 s
DISCHARGE RANGE : 4.5 m
TEST PRESSURE : 24 bar
WORKING PRESSURE : 13.5 bar
CLASS : A B C
DESIGN STANDARD : APPROVAL EN3-7, MED, PED
CCS; RMRS

WEIGHT:
EMPTY : 3.3 kg
FULL : 9.4 kg

TEMPERATURE OF USE : -20°C and +60°C

USE ON VOLTAGE OVER 1000V. UP TO 35 Kv ACCORDING TO LABEL INSTRUCTION ON FIRE EXTINGUISHER



TYPE	PROD NO
EXTINGUISHER PP6P WITHOUT MARINE BRACKET	671594

ITEM	NO OF	DESCRIPTION	PROD NO
10	1	ABC Powder 6kg	668285
9	1	Strap F/M. bracket F/PP6P 5 pck	674291
8	1	M. bracket W/Strap F/PP6P	671909
7	1	Wire and seal F/All ext. 90pck	667600
6	1	Base prot. F/PP6P	674283
5	1	Valve seal F/PP6P/PP9P/PP12P/PP25P 10 pck	674275
4	1	Gauge F/PP3P/PP6P/PP9P/PP12P/PP25P 5pck	674234
3	1	Safety pin F/PP6P/PP9P/PP12P/PP25P 10pck	674259
2	1	Hose with nozzle F/PP6P	674226
1	1	Valve with syphon tube F/PP6P	674242